


ITEM	SECTION	DESCRIPTION	LENGTH	QUAN	MATL	DRAWING
 AC ENGINEERING <small>DESIGN & MANAGEMENT SERVICES</small>						
APPROVED FOR MANUFACTURE AND USE UP TO 1500 kg IZ/SIZA/ENG G.A. MARLBORO 1500 kg A-FRAME						
DRAWN		AJC	SCALE		DRG No.	
DATE		4-6-08	1:50		29-08-002	
A.J. CUNNINGHAM Pt Tech (Eng) 200170073				DATE		

NOTES:

1. STRUCTURE DESIGNED TO BS449
2. BOLTED CONSTRUCTION
3. MAXIMUM CAPACITY = 15 kN

BASE PLATES MUST BE PINNED TO FIRM GROUND BEFORE USE

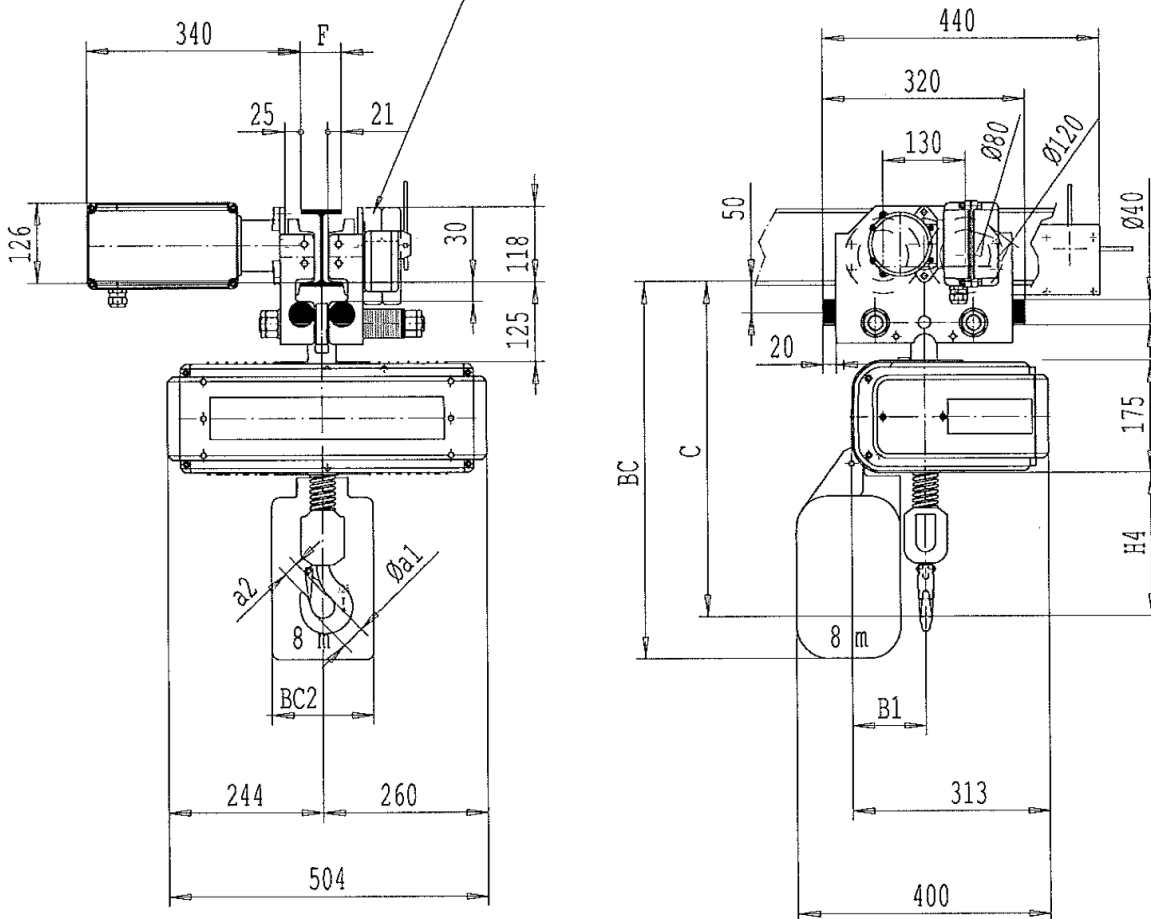
SKC

MAßBLÄTTER
DIMENSIONS
ENCOMBREMENTS



Mit Motorfahrwerk FNU max 2000 kg (Quer zur Kettenzugachse)
Fixed to electric travel trolley FNU max 2000 kg (Perpendicular version)
Accouplé à Chariot à direction électrique FNU max 2000 kg (Version perpend)

F > 100 pas contrepoids / No counterweights
F < 100 2 Contrepoids / 2 Counterweights



Chain bag capacity	H4	C	B1	BC4				BC2				Ø a1	a2	kg
				<8 m	<16 m	<30 m	<50 m	<8 m	<16 m	<30 m	<50 m			
1 Brin/1 Fall	224	524	116	590	655	655	775	160	150	320	320	36	22	83
2 Brins/2 Falls	285	585	145	590	655	655	775	160	150	320	320	43	30	88